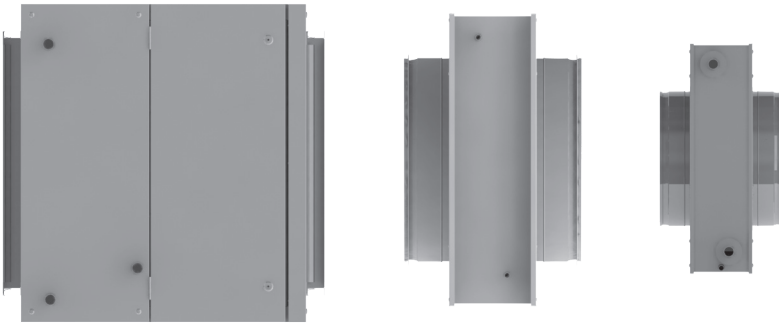


komfovent[®]



DUCT HEAT EXCHANGERS INSTALLATION AND MAINTENANCE SERVICE MANUAL

EN Installation and service Manual

Content

NOMENKLATURE	4
TECHNICAL INFORMATION	4
INSTALLATION OF HEAT EXCHANGERS	9
CLEANING AND INSPECTION OF HEAT EXCHANGERS	10
WATER TRAP INSTALLATION	11
Water trap installation for a unit section mounted on the suction side	11
Water trap installation for a unit section mounted on the pressure side	11



This symbol indicates that this product is not to be disposed of with your household waste, according to the WEEE Directive (2002/96/EC) and your national law. This product should be handed over to a designated collection point, or to an authorised collection site for recycling waste electrical and electronic equipment (EEE). Improper handling of this type of waste could have a possible negative impact on the environment and human health due to potentially hazardous substances that are generally associated with EEE. At the same time, your cooperation in the correct disposal of this product will contribute to the effective usage of natural resources. For more information about where you can drop off your waste equipment for recycling, please contact your local city office, waste authority, approved WEEE scheme or your household waste disposal service.

NOMENKLATURE

DCF - 0.4 - 3	DH - 125	SVK - 400x200 - 2
↓ ↓ ↓	↓ ↓	↓ ↓ ↓
1 2 3	1 4	1 5 6

- 1 – key of heat exchanger name
- DCF – duct freon cooler with rectangular connections
- DCW – duct water cooler with rectangular connections
- DH – duct water heater with round connections
- DHCW – duct water cooler with round connections
- SVK – duct water heater with rectangular connections
- 2 – nominal air flow (m³/h) / 1000
- 3 – cooling capacity at nominal parameters (kW)
- 4 – connection diameter Ø, mm
- 5 – flange dimensions
- 6 – piping row count

TECHNICAL INFORMATION

Duct heat exchangers are mounted outside the unit. Heat exchangers are designed to heat/cool cleaned air in the ventilation systems. Coils are made of copper tubes and aluminium plates as standard. The housings of heat exchangers are made of galvanised steel (fig. 1a)



Fig. 1a

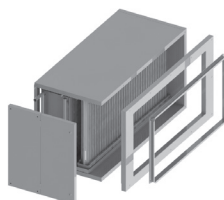


Fig. 1b

Coolers with rectangular connections are mounted in shield sections (fig. 1b). Shield thickness is 45 mm, with mineral stone wool ($\lambda = 0,037 \text{ W/mK}$). The case can be painted in RAL 7035.

Cooler section is assembled with a drop separator and a drain tray (drain tray pipe Ø32 mm). The connecting flanges of cooler is L20.

The control of heat exchangers is provided in control automatics.

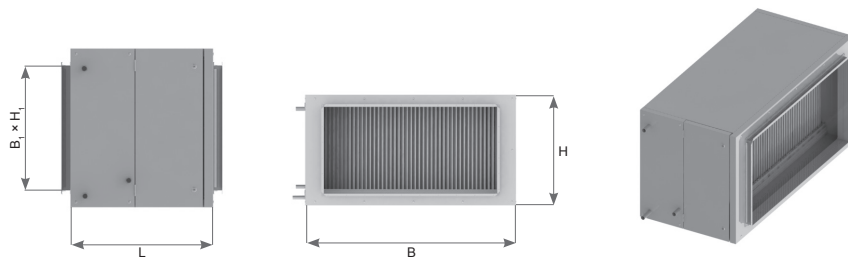
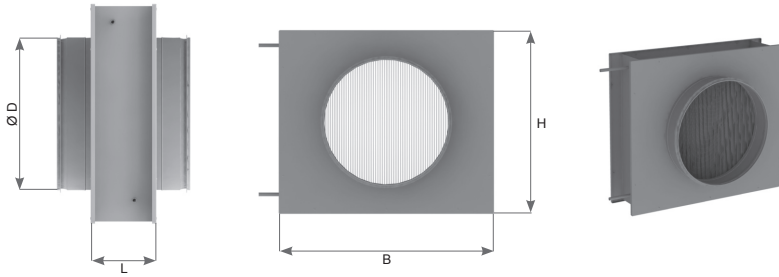
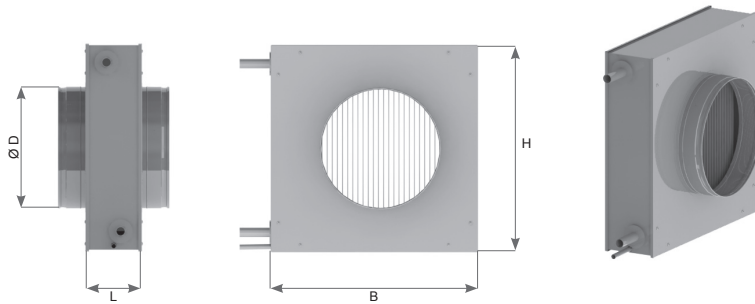


Fig. 2. Air cooler/heater section with rectangular connections

Air cooler/heater section with rectangular connections is shown in fig. 2.



a)



b)

Fig. 3. Heat exchangers with round connections (a) – heater, b) – cooler)

There are shown water heat exchangers with round connections in fig. 3. Coolers are assembled with drain tray (drain tray pipe $\varnothing 15$ mm).

Maximum allowable fluid pressure for water heat exchangers – 21 bar. Minimum / maximum fluid temperature – $-21/130$ °C.

Temperature difference between incoming fluid and outgoing air must be at least 3 °C.

Maximum allowable fluid pressure for freon heat exchangers – 42 bar. Minimum / maximum fluid temperature – $-20/80$ °C.

Maximum recommended air flow velocity through heat exchanger – 3 m/s.



	Attention: Earthing must be installed according EN61557 BS 7671 !
	Note: It is a must to mount the drainage siphon.

Table 1. Water and evaporative coolers with rectangular connections

Type	Supply air volume, m ³ /h	Air temper. in/out, °C	Internal fluid	Capacity, kW	Air pressure drop*, Pa	Hydraulic pressure drop, kPa	B×H×L, mm	Pipe connection	Internal volume, dm ³	B1×H1, mm	Weight, kg
DCF-0,4-3	400	30/18	R410A	2,8	16	0,4	600×550×390	½" /22 mm	0,9	300×400	40
DCW-0,4-3			Water 7/12	2,6	30	30,7	505×550×390	½"	1,6		33
DCF-0,5-3	500		R410A	3,5	19	0,6	600×550×390	½" /22 mm	0,9	400×300	40
DCW-0,5-3			Water 7/12	3,3	30	52,8	600×550×390	½"	1,9		35
DCF-0,7-5	700		R410A	4,8	22	0,6	705×610×390	½" /22 mm	1,8	500×400	49
DCW-0,7-5			Water 7/12	4,2	22	6,9	705×610×390	½"	2,6		42
DCF-0,9-6	900		R410A	6,2	29	0,9	705×610×390	½" /22 mm	1,8	500×400	49
DCW-0,9-6			Water 7/12	5,5	30	7,9	705×610×390	¾"	2,8		45
DCF-1,2-8	1200		R410A	8,3	43	1,5	705×610×390	½" /22 mm	1,8	500×400	49
DCW-1,2-8			Water 7/12	7,4	46	12,8	705×610×390	¾"	2,8		45
DCF-1,4-10	1400		R410A	9,7	74	11,8	705×610×390	½" /22 mm	2,3	500×400	51
DCW-1,4-9			Water 7/12	8,7	61	16,7	705×610×390	¾"	2,8		45
DCF-1,6-11	1600		R410A	11,1	78	16,4	755×610×420	½" /22 mm	2,5	500×400	56
DCW-1,6-11			Water 7/12	10	65	22,2	755×610×420	¾"	3,0		46
DCF-2,0-14	2000		R410A	13,8	71	30,7	920×610×420	5/8" /22 mm	3,1	700×400	65
DCW-2,0-13			Water 7/12	12,8	60	38	920×610×420	¾"	3,6		57
DCF-2,5-17	2500		R410A	16,9	67	14,9	1080×670×420	5/8" /22 mm	7,5	800×400	79
DCW-2,5-17			Water 7/12	15,5	63	16,6	1080×670×420	1"	8,4		65
DCF-3,0-20	3000		R410A	20,8	92	22,1	1080×670×420	5/8" /22 mm	7,6	800×400	79
DCW-3,0-20			Water 7/12	18,7	102	23	1080×670×420	1"	8,4		69
DCF-4,0-27	4000	R410A	26,9	94	45,6	1220×730×420	5/8" /22 mm	9,8	900×500	97	
DCW-4,0-27		Water 7/12	25,2	106	38,4	1220×730×420	1"	10,7		82	
DCF-4,5-31	4500	R410A	30,3	95	35,5	1220×790×420	¾" /22 mm	10,9	900×600	103	
DCW-4,5-30		Water 7/12	28,8	108	62	1220×790×420	1"	11,9		87	
DCF-7,0-48-2	7000	R410A	2×24,2	102	10,2	1500×790×480	2×¾"/2×22mm	7,7	1200×600	125	
DCW-7,0-47		Water 7/12	44,5	100	35,5	1500×790×420	1 ½"	10,4		105	

* with droplet eliminator

Table 2. Evaporative coolers with rectangular connections adapted to external condensers MOU

Type	Supply air volume, m ³ /h	Air temper. in/out, °C	Internal fluid	Capacity, kW	Air pressure drop*, Pa	Hydraulic pressure drop, kPa	B×H×L, mm	Pipe connection	Internal volume, dm ³	B1×H1, mm	Weight, kg
DCF-0,4-3	400	30/18,5	R410A	2,6	16	0,4	600×550×390	½" /22 mm	0,9	300×400	40
DCF-0,5-3	500	30/18,7		3,2	20	0,5	600×550×390	½" /22 mm	0,9	400×300	40
DCF-0,7-5	700	30/16,8		5,3	22	0,7	705×610×390	½" /22 mm	1,8	500×400	49
DCF-0,9-6	900	30/16,0		7,4	30	1,2	705×610×390	½" /22 mm	1,8	500×400	49
DCF-1,2-8	1200	30/17,2		8,9	45	1,7	705×610×390	½" /22 mm	1,8	500×400	49
DCF-1,4-10	1400	30/16,8		10,7	74	14,3	705×610×390	½" /22 mm	2,3	500×400	51
DCF-1,6-11	1600	30/18,4		10,7	79	15,3	755×610×420	½" /22 mm	2,5	500×400	56
DCF-2,0-14	2000	30/17,7		14,2	71	32,3	920×610×420	5/8" /22 mm	3,1	700×400	65
DCF-2,5-17	2500	30/18,7		15,8	67	13,2	1080×670×420	5/8" /22 mm	7,5	800×400	79
DCF-3,0-20-2	3000	30/17,7		2×10,6	79	12,6	1080×670×420	2×½" /2×22mm	4,5	800×400	79
DCF-4,0-27-2	4000	30/17,7		2×14,2	80	24,6	1220×730×420	2×5/8" /2×22mm	5,7	900×500	92
DCF-4,5-31-2	4500	30/17,6		2×16,1	82	39,1	1220×790×420	2×5/8" /2×22mm	6,3	900×600	98
DCF-7,0-48-3	7000	30/17,9		3×16,2	100	13,2	1500×790×480	3×5/8" /3×22mm	8,0	1200×600	131

* with droplet eliminator

Table 3. Duct water heat exchangers with round connections

Type	Supply air volume, m ³ /h	Air temp. in/out, °C	Fluid	Capacity, kW	Air pressure drop, Pa	Hydraulic pressure drop, kPa	B×H×L, mm	Pipe connection	Internal volume, dm ³	ØD, mm	Weight, kg
DH-125	450	10/22	Water 60/40	1,8	44	2,2	335×295×152	½"	0,9	125	6,15
DHCW-125		26/18	Water 7/12	1,4	69	11,6	335×335×164		1,2		11,13
DH-160	450	10/22	Water 60/40	1,8	44	2,2	335×295×152		0,9	160	6,15
DHCW-160		26/18	Water 7/12	1,4	69	11,6	335×335×164		1,2		11,13
DH-200	900	10/22	Water 60/40	3,6	101	4,5	360×320×152		1,1	200	7,04
DHCW-200		26/18	Water 7/12	3,0	153	50,1	365×365×164		1,5		12,40
DH-250	900	10/22	Water 60/40	3,6	49	5,4	420×380×152		1,5	250	9,30
DHCW-250		26/18	Water 7/12	3,1	77	67,6	425×425×164		2,0		15,37
DH-315	1600	10/22	Water 60/40	6,5	58	17,9	470×510×152		2,1	315	11,75
DHCW-315		26/18	Water 7/12	5,2	90	13,4	560×515×164		3,0		21,60
DH-315M	2000	10/22	Water 60/40	8,1	98	3,6	480×520×132		2,4	315	14,39
DHCW-315		26/18	Water 7/12	6,5	133	20,1	560×515×164		3,0		21,60
DH-355	2000	10/22	Water 60/40	8,1	61	28,3	600×510×152		2,4	355	13,34
DHCW-355		26/18	Water 7/12	6,6	55	21,6	605×605×164		2,4		25,43

Table 4. Duct water heat exchangers with rectangular connections

Type	Supply air volume, m ³ /h	Air temp. in/out, °C	Capacity*, kW	Air pressure drop, Pa	Hydraulic pressure drop, Pa	B×H×L, mm	Pipe connection	Internal volume, dm ³	B1×H1, mm	Weight, kg
SVK-400×200-2	850	0/22	6,3	37	31	480×320×100	½"	0,8	400×200	5,0
SVK-400×200-4	850	-23/22	12,8	69	33	517×320×130	½"	1,3	400×200	7,0
SVK-500×250-2	1500	0/22	11,1	70	14	617×320×100	½"	0,9	500×250	6,0
SVK-500×250-4	1500	-23/22	22,6	131	17	617×320×130	½"	1,5	500×250	9,0
SVK-500×300-2	1800	0/22	13,3	65	24	617×380×100	½"	1,1	500×300	7,0
SVK-500×300-4	1800	-23/22	27,2	122	26	623×380×130	¾"	2,1	500×300	12,0
SVK-600×300-2	2300	0/22	17	73	40	717×380×100	½"	1,2	600×300	8,0
SVK-600×300-4	2300	-23/22	34,7	137	25	723×380×130	¾"	2,3	600×300	13,0
SVK-600×350-2	2600	0/22	19,2	65	21	717×440×100	½"	1,5	600×350	9,0
SVK-600×350-4	2600	-23/22	39,2	123	25	723×440×130	¾"	2,8	600×350	15,0
SVK-700×400-2	4000	0/22	29,6	120	52	817×500×100	½"	3,1	700×400	12,0
SVK-700×400-4	4000	-23/22	60,3	226	53	830×500×130	1"	6,4	400×400	18,0
SVK-800×500-2	4500	0/22	33,3	92	14	923×560×100	¾"	4,1	800×500	14,0
SVK-800×500-4	4500	-23/22	67,9	172	14,2	937×560×130	1 ¼"	8,5	800×500	21,0
SVK-1000×500-2	5700	0/22	42,1	94	22	1123×560×100	¾"	4,9	1000×500	16,0
SVK-1000×500-4	5700	-23/22	86	177	23	1137×560×130	1 ½"	10,1	1000×500	25,0

* Internal fluid temperature 80/60 °C.

There are shown technical data of heat exchangers: capacity, air pressure drop, hydraulic pressure drop at different air flows and parameters (cooling capacities are calculated at 50 % relative humidity) in tables 1–4.

Weights, dimensions and dimensions of the connections of heat exchangers are also specified.

INSTALLATION OF HEAT EXCHANGERS

Unit is for indoor use only at temperature between +5 and +40°C. Coolers must be installed in position that air flow direction would be horizontal.

In heat exchangers the water flow direction through the heat exchanger must always be opposite to the air flow direction.

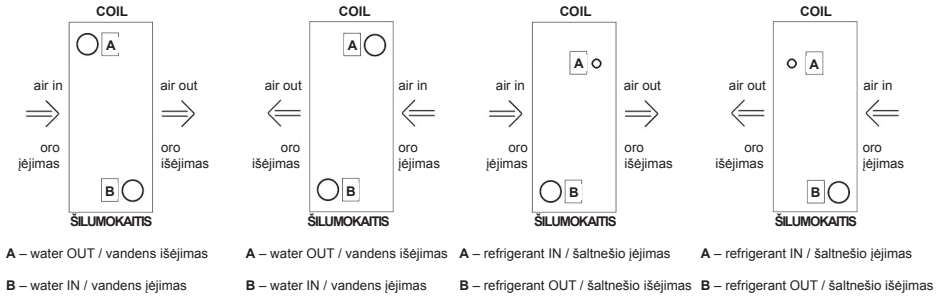


Fig. 4a. Fluid flow direction in respect of air flow in coils with rectangular connetions

DH and DHCW heat exchangers are equipped with return water temperature sensor. It is mounted depending on fluid flow direction fig. 4b.

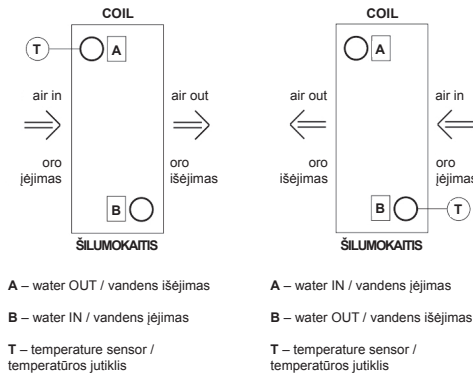


Fig. 4a. Fluid flow direction in respect of air flow in heat exchangers with round connections

Heat exchangers should be carefully flushed out with water before the installation. DCF heat exchangers is filled with nitrogen gas which must be released through the valve.

⚠ Attention!
When screwing fitting pipes on to the system, hold them with a tube wrench, as in Fig. 5a.

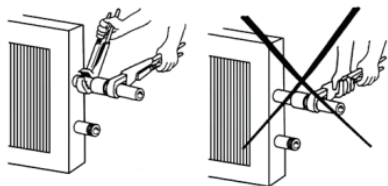


Fig. 5a. Heat exchanger fitting pipe connection

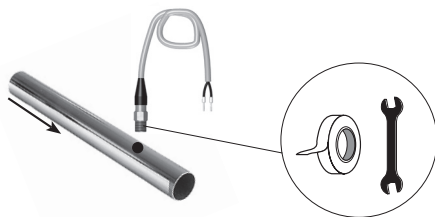


Fig. 5b. Return water sensor installation



Attention!

Fig. 5a shows correct heat exchanger fitting pipe connection. Wherever possible, heat exchanger pipes should be connected in such a way as to ensure free access to pipe work for maintenance. When carrying out installation of heat exchanger pipes, make sure that liquid (evaporative refrigerant) supply is completely disconnected.

In fig. 5b shown sensor must be thermally insulated. Sensor is connected to the controller terminals (see automatic control manual).

Before start-up of the air handling unit, working evaporative refrigerant should be injected into the heat exchangers. The heat exchanger can be fill up with water and 30 percent with ethylene glycol liquid.

The technical documentation of ethylene glycol liquid, make inquiries to producers.

Never pour glycol down a drain; collect it in a receptacle and leave it at a recycling centre or the like. Glycol is highly dangerous to consume and can cause fatal poisoning or damage the kidneys. Contact a doctor! Avoid breathing glycol vapour in confined spaces. If you get glycol in your eyes, fush them thoroughly with water (for about 5 minutes).

CLEANING AND INSPECTION OF HEAT EXCHANGERS

The plates of heat exchangers and droplet eliminators (fig. 6) should be cleaned regularly to ensure the most effective heat exchange between the surface of coil and the air flow passing through it.

Cleaning frequency should be set depending on air purity and in-line filters.

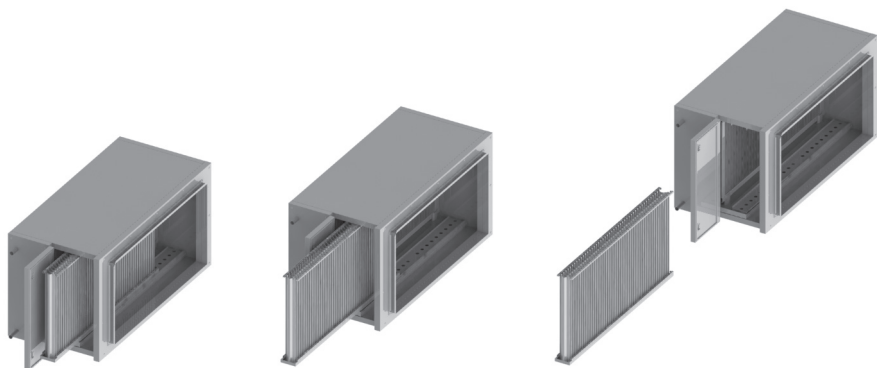


Fig. 6. The droplet eliminator pulling out from the section

Always clean the heat exchanger against the regular direction of airflow. Make sure that the coils are purged off air. If a droplet eliminator is fitted, remove it and fush it clean with water. Also check that the condensate drain is not clogged.

WATER TRAP INSTALLATION

The bend of the water trap can be repositioned by turning it to the right or the left. The drain line from the water trap must be arranged so that it will not damage adjacent unit sections or building elements. If the drain line is run through cold spaces, it should be insulated to prevent freezing. A heating cable may be required.

Water trap installation for a unit section mounted on the suction side

Since the fans in most air handling units are last in the chain of functions and generate sub-atmospheric pressure inside the unit, it is very important to correctly install the water trap. Because of that reason condensate can be hardly eliminated from the air handling unit and the technical premise may get covered with condensate. Height H_1 must be at least equivalent in mm to half of the negative pressure inside the unit in mm water gauge. Height H_2 must be at least equivalent in mm to the negative pressure inside the unit in mm water gauge.

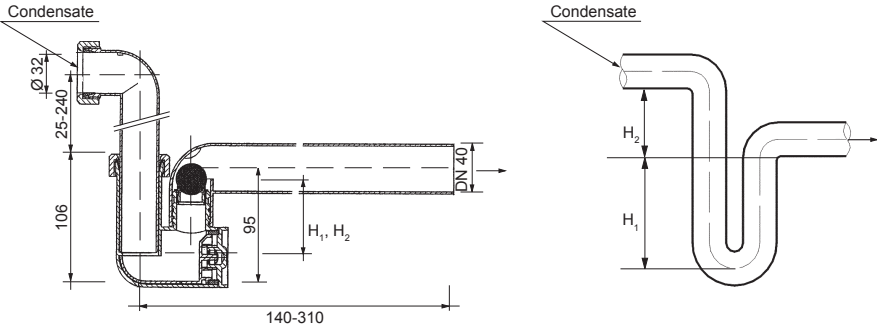


Fig. 7. The principle scheme of correct drainage siphon installation

There is shown the principle scheme of correct drainage siphon installation in fig. 7.

	<p>Precaution: The drainage siphon should be mounted on the outlet fitting pipe of every drip tray for complete condensate drainage from the air handling unit and prevention of penetration of offensive odours from an effluent into the ventilation system.</p>
--	---

Water trap installation for a unit section mounted on the pressure side

Since the fans in most air handling units are not last in the chain of functions and generate over-atmospheric pressure inside the cooling section. In such case the consisted condensate can be easily removed from AHU and there will be no strict requirements for siphon's installation. A drainage siphon is enough with a minimum rake.

RECOMMENDATION: The drainage siphon must be installed in connection with not less size pipe diameter.

UAB KOMFOVENT

VILNIUS Ozo g. 10, LT-08200

Tel. +370 5 277 9701

Mob. +370 685 44 658

el. p. info@komfovent.com

KAUNAS Taikos pr. 149, LT-52119

Tel.: +370 37 473 153, +370 37 373 587

Mob. +370 685 63 962

el. p. kaunas@komfovent.com

KLAIPĖDA Dubysos g. 25, LT-91181

Mob.: +370 685 93 706, +370 685 93 707

el. p. klaipeda@komfovent.com

ŠIAULIAI Metalistų g. 6H, LT-78107

Tel. +370 41 500 090

el. p. siauliai@komfovent.com

PANEVĖŽYS Beržų g. 44, LT-36144

Mob. +370 640 55 988

el. p. panevezys@komfovent.com

EXPORT & SALES DEPARTMENT

Tel.: +370 5 205 1579, +370 5 231 6574

Fax +370 5 230 0588

export@komfovent.com

GARANTINIO APTARNAVIMO SK. / SERVICE AND SUPPORT

Tel. +370 5 200 8000

Mob. +370 652 03 180

service@komfovent.com

www.komfovent.com

PARTNERS

AT	J. PICHLER Gesellschaft m. b. H.	www.pichlerluft.at
AU	Pacific HVAC	www.pacificvac.com
BE	Ventilair group	www.ventilairgroup.com
	ACB Airconditioning	www.acbairco.be
CZ	REKUVENT s.r.o.	www.rekuvent.cz
CH	WESCO AG	www.wesco.ch
	SUDCLIMATAIR SA	www.sudclimatair.ch
	CLIMAIR GmbH	www.komfovent.com/en/business/more/contact-us/
DK	UNIQ COMFORT ApS	www.uniqcomfort.dk
	AIR2TRUST	www.air2trust.com
EE	BVT Partners	www.bvtpartners.ee
FR	AERIA	www.aeria-france.fr
GB	ELTA FANS	www.eltafans.com
HR	Microclima	www.microclima.hr
HU	AIRVENT Légtechnikai Zrt.	www.airvent.hu
	Gevent Magyarorszáig Kft.	www.gevent.hu
	Merkapt	www.merkapt.hu
IR	Fantech Ventilation Ltd	www.fantech.ie
IS	Blikk & Tækniþjónustan ehf	www.bogt.is
	Hitataekni ehf	www.hitataekni.is
NL	Ventilair group	www.ventilairgroup.com
	DECIPOL-Vortvent	www.vortvent.nl
NO	Ventistál AS	www.ventistal.no
	Thermo Control AS	www.thermocontrol.no
PL	Ventia Sp. z o.o.	www.ventia.pl
SE	Nordisk Ventilator AB	www.nordiskventilator.se
SI	Agregat d.o.o	www.agregat.si
SK	TZB produkt, s.r.o.	www.tzbprodukt.sk

ООО «АМАЛБА-Р»

Россия, Москва

ул. Выборгская д. 16,

стр. 1, 2 этаж, 206 офис

Тел./факс +7 495 640 6065

info.msk@komfovent.com

www.komfovent.ru

ООО «АМАЛБА-ОКА»

390017 г. Рязань

Рязжское шоссе, 20 литера Е, пом Н6

Тел.: +7 4912 950575, +7 4912 950672,

+7 4912 950648

info.oka@komfovent.com

www.komfovent.ru

ИООО «Комфовент»

Республика Беларусь, 220125 г. Минск,

ул. Уручская 21 – 423

Тел. +375 17 266 5297, 266 6327

info.by@komfovent.com

www.komfovent.by

Komfovent AB

Ögärdesvägen 12B

433 30 Partille, Sverige

Tel. +46 31 487 752

info_se@komfovent.com

www.komfovent.se

Komfovent Oy

Muuntotie 1 C1

FI-01 510 VANTAA

Tel. +358 0 408 263 500

info_fi@komfovent.com

www.komfovent.com

Komfovent GmbH

Konrad-Zuse-Str. 2a, 42551 Velbert,

Deutschland

Tel. +49 0 2051 6051180

info@komfovent.de

www.komfovent.de

SIA Komfovent

Bukaišu iela 1,

LV-1004 Rīga

Tel. +371 67 20 1572

info@komfovent.lv

www.komfovent.lv